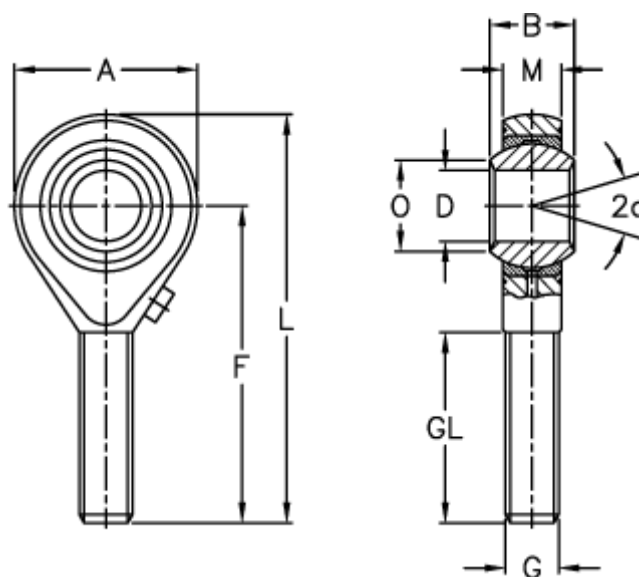


Article number: 03006016150

Description: Fluro Rod End GAXS 16 16x1,5
Zinc Plated

Measures



A	= 42	L	= 87
a (degrees)	= 15	M	= 15
B	= 21	O	= 19.3
D	= 16	Permissible rpm	= 660
Dynamic load C (kN)	= 21.5	Static load C0 (kN)	= 67.5
F	= 66	Weight (g)	= 189
g	= M16x1,5		
GL	= 40		